

A Developer's Perspective

Asia Pacific Clean Energy Summit
International OTEC Symposium
September 9, 2013



STRICTLY CONFIDENTIAL AND PROPRIETARY. DO NOT CIRCULATE WITHOUT WRITTEN PERMISSION.
THIS IS NOT AN INVESTMENT OR SECURITIES OFFERING.

Company Sponsor - The Abell Foundation

- Endowed charitable foundation founded in 1953
- Fund innovative solutions to social challenges
- Promote entrepreneurship as economic growth engine locally
- Early stage investor – Triple Bottom Line focus
- Proven track record
 - Two Successful IPOs: Guilford Pharmaceuticals and Visicu
 - Four Successful Private Dispositions of Emerging Technology Companies
 - Current Investments: PAICE–Toyota License, TRI–Bio-Refinery, Cerasearch–Green Cement
- Commercial Projects – will partner with U.S., Asian and local market investors

OTEC International LLC

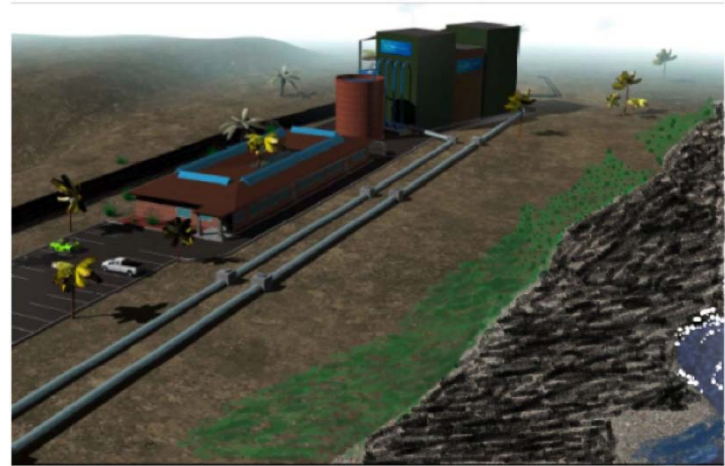
- Legacy of 40 years, dedicated OTEC R&D – License of Anderson technology (2000)
- Combined with current best of class – Off-shore industry and material
- Engineered systems ready for utility and commercial markets
 - Reduced project risks
 - Lowered development costs
 - Increased OTEC reliability
- Over 15 issued and pending patents filed on proprietary innovations
- Independent evaluations – ABS, Black & Veatch
- Projects in pipeline – 1 MW, 3-5 MW, 25 MW & 100 MW



Hawaii Projects

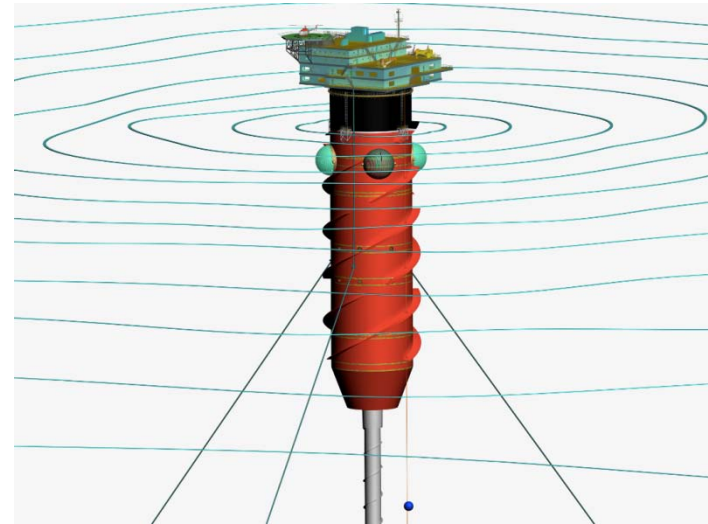
1 MW RD&D Facility – NELHA (land-based)

- Selected Under Competitive Bid
- Design, EA Completed
- Contract in Process



100 MW Off-Shore Plant for O‘ahu

- Executed Term Sheet, PRS & ISA Complete
- PPA in Advanced Negotiations



The Caribbean Market



STRICTLY CONFIDENTIAL AND PROPRIETARY. DO NOT CIRCULATE WITHOUT WRITTEN PERMISSION.
THIS IS NOT AN INVESTMENT OR SECURITIES OFFERING.



111 S. Calvert Street, Suite 2300
Baltimore, MD 21202 USA
011+ 1+ 410 547 1300
www.OTECI.com

THESE STATEMENTS APPLY TO THE ENTIRE PRESENTATION

Recipients of this presentation and the HECO Information Memorandum are subject to an executed NDA. If a NDA has not been executed, it is requested that the recipient immediately notify OTI's legal counsel (gfremlin@steptoe.com) to execute a NDA. Otherwise, the recipient is not authorized to retain this presentation or the HECO Information Memorandum in any electronic or hard copy form. Any recipient of this presentation or the HECO Information Memorandum not subject to a NDA agrees promptly to delete any electronic files and to destroy any hard copies of the materials.